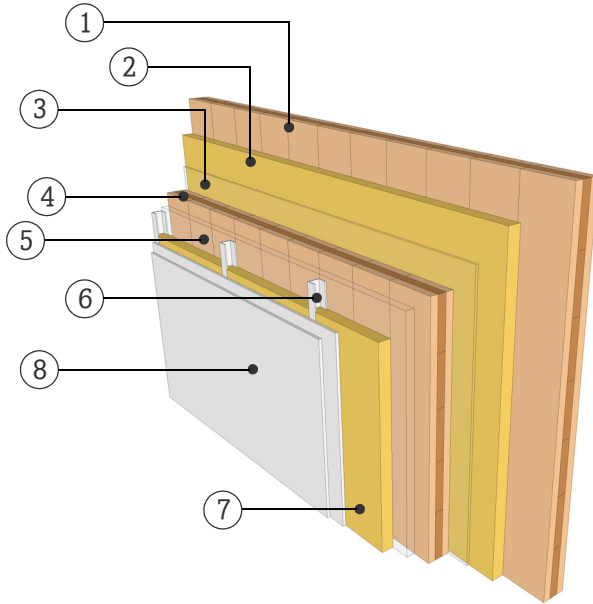


DATASHEET

PARTITION WALL

WTW12.05

TWO SEPARATE LAYER



FIRE RESISTANCE

(R)EI 30 [min]

The fire resistance (R-criteria/structural resistance) up to 30 minutes applies for an effective wall height of 2.95 m with fire exposure from two sides. Should the planking material or the thickness deviate from stated information and a detailed examination of the actual load be required, please consult with a competent structural engineer of the KLH technical team.

SOUND INSULATION

R_w (C;C_{tr}) 71 (-3;9) [dB]

THERMAL CHARACTERISTICS

U 0,21 [W/m²K]

m_{w,B,A} 18/37 [kg/m²]

MATERIAL

PROPERTIES

[mm]		λ [W/mK]	μ min-max [-]	ρ [kg/m³]	c [kJ/kgK]	
①	95.0 3s TT, KLH solid timber slab	0.12	50 - 300	500	1.6	D
②	50.0 Mineral wool, low density	0.04	1	15-30	1	A1
③	10.0 Air gap					
④	95.0 3s TT, KLH solid timber slab	0.12	50 - 300	500	1.6	D
⑤	35.0 Air gap					
⑥	50.0 Lightweight C-profiles					A1
⑦	50.0 Mineral wool, low density	0.04	1	15-30	1	A1
⑧	25.0 Gypsum plasterboard	0.25	10	680	0.96	A2

Thickness 360,0 [mm]

Mass per square meter ca. 115 [kg/m²]

Test report sound: HFA 1252/2012-BB
Calculation of the physical values by the
KLH Massivholz GmbH, without warranty