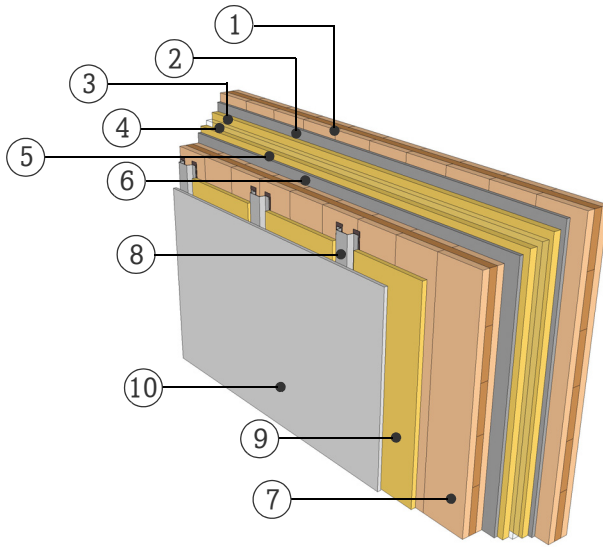


DATASHEET

PARTITION WALL

WTW16.06

TWO SEPARATE LAYER



FIRE RESISTANCE

(R)EI 30 [min]

The fire resistance (R-criteria/structural resistance) up to 30 minutes applies for an effective wall height of 2.95 m with fire exposure from two sides. Should the planking material or the thickness deviate from stated information and a detailed examination of the actual load be required, please consult with a competent structural engineer of the KLH technical team.

SOUND INSULATION

R_w (C;C_{tr}) 69 (-5;-12) [dB]

THERMAL CHARACTERISTICS

U 0,26 [W/m²K]

m_{w,B,A} 29/36 [kg/m²]

MATERIAL

PROPERTIES

	[mm]		λ [W/mK]	μ min-max [-]	ρ [kg/m³]	c [kJ/kgK]	
①	95.0	3s TT, KLH solid timber slab	0.12	50 - 300	500	1.6	D
②	15.0	Cement bonded sandwich panel, Fermacell	0.4	40	1000	1	A1
③	30.0	Glasfiber with felt layer	0.032	1	40	0.81	A2
④	10.0	Air gap					
⑤	30.0	Glasfiber with felt layer	0.032	1	40	0.81	A2
⑥	15.0	Cement bonded sandwich panel, Fermacell	0.4	40	1000	1	A1
⑦	95.0	3s TT, KLH solid timber slab	0.12	50 - 300	500	1.6	D
⑧	20.0	Light weight profiles					A1
⑨	15.0	Impact sound insulation, mineral wool	0.036	1	70 - 150	0.84	A1
⑩	12.5	Gypsum fiberboard, Fermacell	0.32	13	1200	1.1	A1

Thickness 325,0 [mm]

Mass per square meter ca. 150 [kg/m²]

Test report sound: HFA 781a2016-BB
Calculation of the physical values by the
KLH Massivholz GmbH, without warranty